

## Installation YellowTec m!ka ON Air Microphone Arms XL/TV (Notabotyet)

m!ka Mikrofonarme XL

YT3301 Mikrofonarm XL aluminium

YT3305 On Air Mikrofonarm XL aluminium

YT3701 Mikrofonarm XL schwarz

YT3705 On Air Mikrofonarm XL schwarz

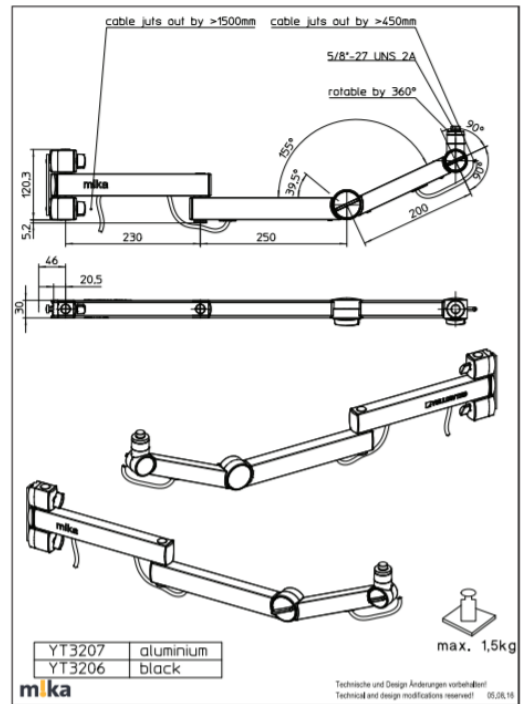
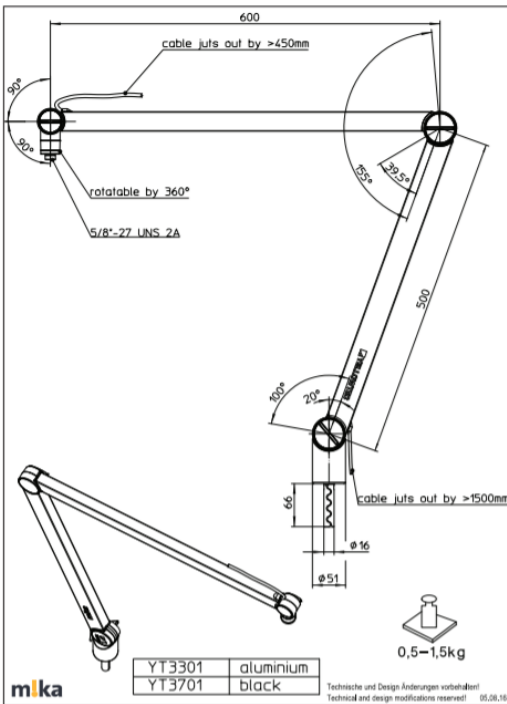
m!ka Mikrofonarme TV

YT3207 Mikrofonarm TV aluminium

YT3209 On Air Mikrofonarme TV aluminium

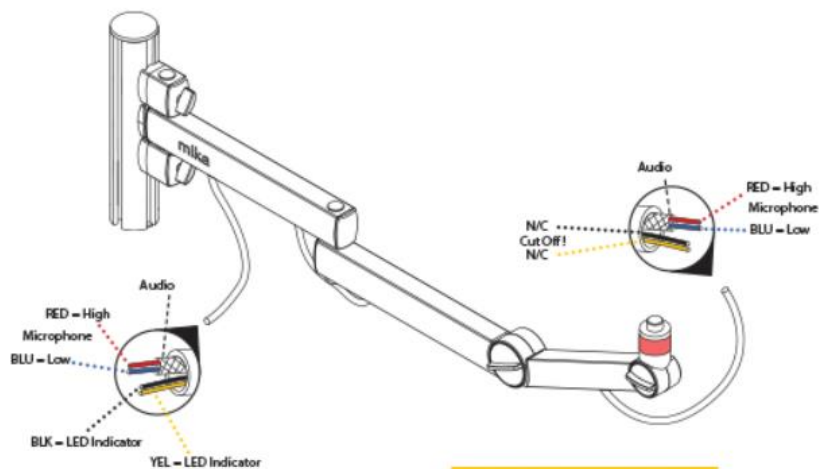
YT3206 Mikrofonarm TV schwarz

YT3208 On Air Mikrofonarm TV schwarz

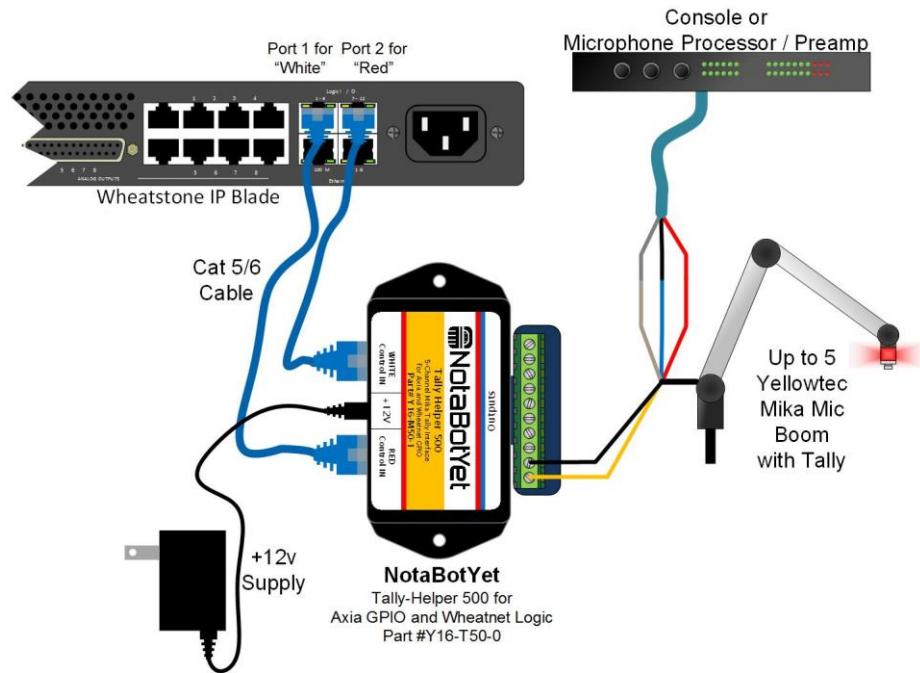


We suggest using **XLR-5** pin connectors for microphone signal and on air light feed on lower end of cable and **XLR-3** type connectors for microphone on upper end of cable.

- When installing the connector on upper end, cut off the black and yellow wires. They
  - are not connected and do not carry any voltage.
- Always make sure to leave adequate cable lengths before you cut the cable to fit. It
  - is not possible to install a new cable loom inside the arm.



For RED light connect  
 BLK = 0 V YEL = +12-24VDC  
 For WHITE light connect  
 BLK = +12-24VDC YEL = 0 V  
 or toggle polarity for dual use



## NotaBotYet Tally Helper 500

### Interface for up to 5 Yellowtec Mika Microphone Boom Tally Lights

Provides a quick and easy way to power and control the tally lights on up to 5 Yellowtec Mika microphone booms. Inputs can be used to turn on the red or white lights inside the microphone boom depending on the input signal received from their GPIO source. (Without this device, installers need to hardwire either red or white functionality when installing their mic booms and therefore cannot use both colors.) For example, by using the Tally Helper, an installer can configure the red light to indicate a live microphone, and the white light for signaling something such as a live studio status, a timing cue, a telephone line ringing, or some other function based on their GPIO setup.

The two input RJ45 connectors (One for Red and one for White) are a match for our Axia GPIO Breakout Boards (A15-B01-2) or the logic ports on a Wheatnet IP Blade. The device may also be controlled using GPIO sources from other manufacturers that use open collector outputs or dry contact relays.

Connections to the Yellowtec Mika microphone boom tally lights are on a screw terminal barrier strip.

Includes 12V / 2 Amp power adapter.

Sometimes, when building a facility, there just needs to be an easy way to control the tally light on multiple Yellowtec Mika microphone booms. For a facility designer and/or installer, this usually means termination of the Mika mic boom cable on a **5 pin xlr or equivalent method** and somehow splitting off the power lines for the tally light from the mic audio lines.

The Tally Helper has the following features:

- Phoenix-type screw terminal strip for connecting tally wires from up to 5 Mika mic booms
- Included 12V regulated switching power supply.
- Two RJ-45 input connectors (One for Red and One for White) with pinouts matching our Axia GPIO Breakout Board (Part# A15-B01-2) or Wheatnet IP logic ports.
- Active low inputs mean installers can use any standard GPIO source (using open collector type closures to ground or relay closures to ground) to control the device
- Small device (no larger than a surface mount phone jack) can be mounted discreetly in any location convenient for access and wiring.