

Signature Series

Maximum Resilience Broadcast Audio



Signature ADA 2:6G

6 Way Stereo Distribution Amplifier With Output Gain



ADA 2:6G Front



ADA 2:6G Rear

FEATURES

**1 x stereo input
to 6 x stereo outputs**

**1 x mono input
to 12 x mono
outputs**

**Each output has
individual gain
controls**

**Inputs
can accept balanced
and unbalanced
connections**

The Signature ADA 2:6G is a broadcast specification 6 way stereo analogue distribution amplifier, designed to distribute one or two audio channels to multiple destinations.

The ADA 2:6G has 1 x stereo input that is distributed to 6 x stereo outputs, each with its own gain control. A front panel toggle switch changes the operation of the unit to a mono distribution amplifier with 1 input and 12 outputs. The mono/stereo front panel toggle switch is recessed to prevent accidental operation and also provides the user with clear visual indication of the current mode.

Audio inputs and outputs are electronically balanced on XLRs and can accommodate unbalanced connections if required. The output gains are on front panel multi turn potentiometers (recessed to prevent accidental operation). They provide a wide

gain range to cope with the different gain level requirements of broadcast or domestic level equipment.

All outputs are protected, so a short circuit on one will not affect any of the others.

Power is provided by an internal switch mode power supply, with a wide input range. There is also an input for external 12v DC power. The 12v DC input can be connected to the optional Signature PS1 external DC Master Power Station, for situations where a redundant power supply is desirable.

A bright front panel LED indicates that the unit is operational.



Glensound
Keeps Working



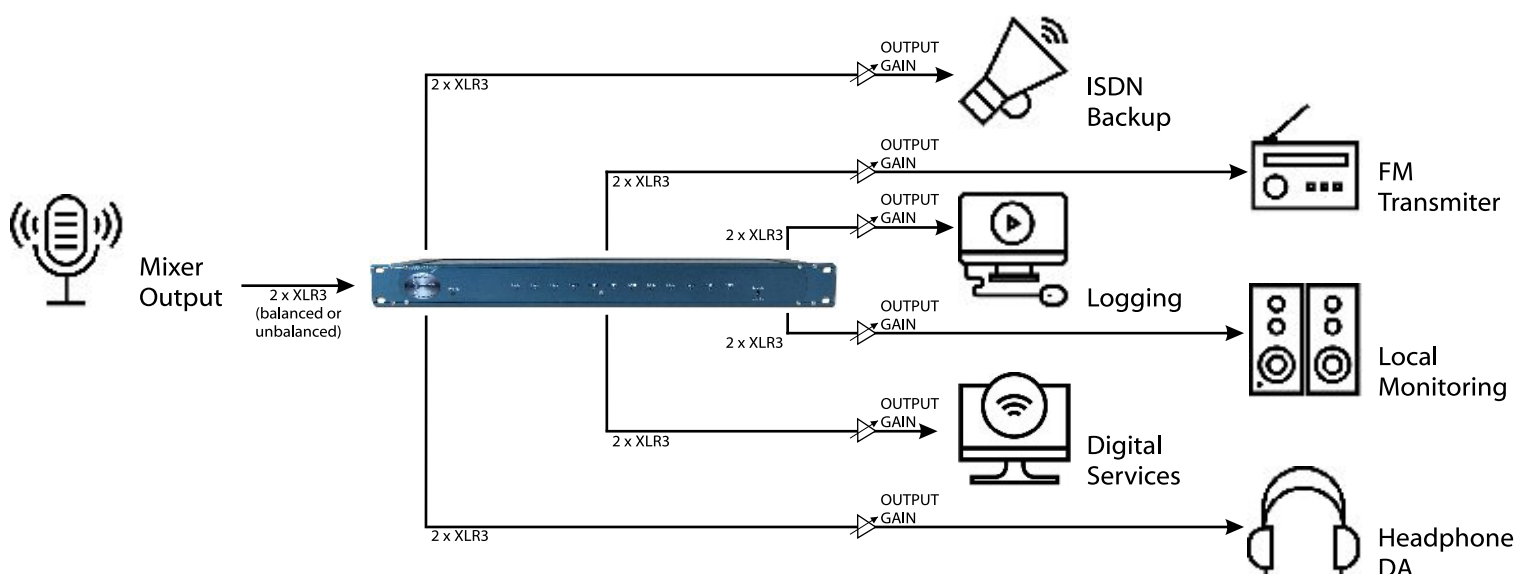
Signature ADA 2:6G

6 Way Stereo Distribution Amplifier With Output Gain

EXAMPLE APPLICATION

Radio Station CTA

Six Output Stereo Distribution



The main stereo programme audio from a radio station needs to be distributed across multiple platforms. The output from the desk or automation system no longer just heads off to the transmitter. The audio must be distributed across all of the relevant services that require a connection of the original programme audio.

In this example, the Signature ADA 2:6 provides 6 stereo outputs of the main programme audio. One output connects to the transmitter as the main FM broadcast feed. As multiple guest headphones are required in the studio, another output connects to a separate headphone distribution amplifier. This station also broadcasts online, so another output connects to a PC to become the internet broadcast stream. Local monitoring is required, so one feed goes to the local monitoring system. The transmitter B chain is on ISDN, so one output goes to an ISDN codec. And the

final output connects to another PC that manages all of the stations logging requirements.

All of these distributed sources may require different levels. With the Signature ADA 2:6G, each distributed output can have a different gain level set so that it matches the incoming level requirements of each source. For example, the feed that goes to the FM transmitter link will be connected to professional equipment expecting normal line up levels. However, the station logging may be on a domestic grade PC and require a much higher input level to be sent to it. Using the ADA 2:6G, a separate gain level can be set for each output.

It's very easy to see why multiple outputs of the main programme audio are required, with different gain levels, in a typical radio station environment.



Signature Series

Maximum Resilience Broadcast Audio



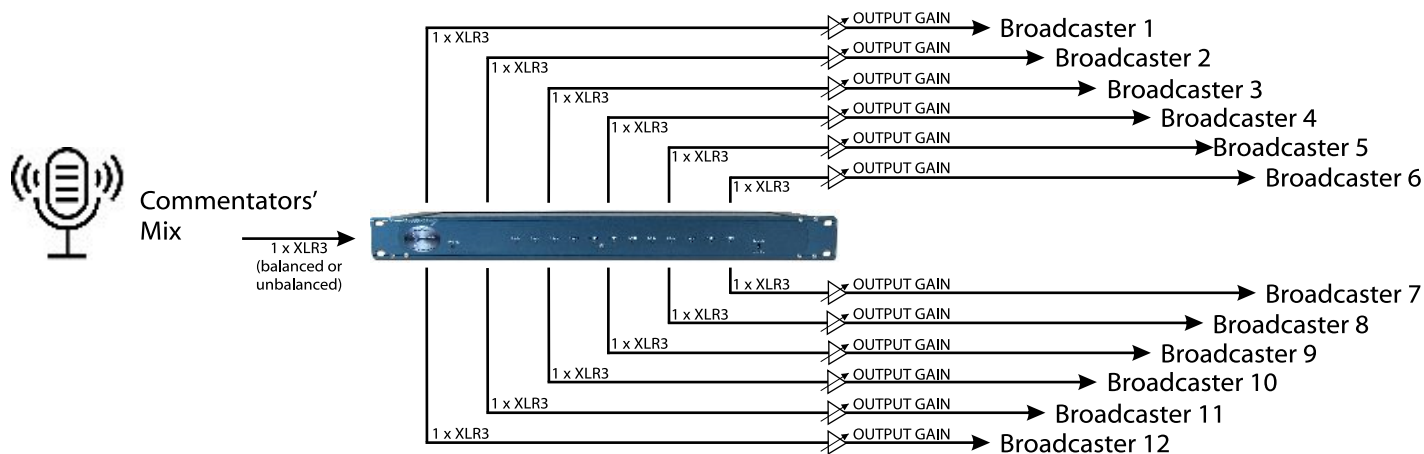
Signature ADA 2:6G

6 Way Stereo Distribution Amplifier With Output Gain

EXAMPLE APPLICATION

Commentary Feed In IBC

Twelve Output Mono Distribution



A single channel mono feed is connected to the Signature ADA 2:6. This could be the master programme mix output from a host commentary system at a sports stadium. This needs to be distributed to all the relevant broadcasters who want to take the host commentary audio. Twelve outputs from the ADA 2:6 are

available, which all contain the original audio, and are available to distribute to all of the relevant 12 broadcasters. As the required levels may be different for each broadcaster the gain can be adjusted independently for each output.

SPECIFICATION

AUDIO

Frequency Response

<-0.5dB 20Hz to 20kHz

Gain Range

-10dB to +15dB on each output

Maximum Input Level

>+28dB

Maximum Output Level

+24dBu

Input Impedance

>30k Ohm

Output Impedance

=<50 Ohms

Distortion

0.013% THD @ 100Hz, 1kHz & 10kHz

Reference to +8dBu output

Noise

-89dB @ line up unweighted

RMS (22Hz to 22kHz)

Common Mode Rejection

Circa -63dB @ lineup

Output Type

Electronically balanced (can be wired unbalanced) on Neutrik 3 pin XLR plug

Input Type

Electronically balanced (can be wired unbalanced) on Neutrik 3 pin XLR socket

POWER

Mains Input

Filtered IEC, 100 to 240VAC

47 - 63Hz

AC Consumption

2.8 Watts @ 230VAC

DC Input

4 Pin Neutrik XLR plug +/- 12V

Internal Mains Fuse

20mm 1A Anti Surge

PHYSICAL

Size

445 x 123 x 44mm (LxDxH) no rack ears

482mm 19" (1RU) with rack ears

Weight

1.16kg

Mechanics

All aluminium construction, anodized and laser etched

Shipping Carton

Rugged export quality cardboard carton

610 x 420 x 130mm LxDxH

Shipping Weight

2.6kg

Signature Series

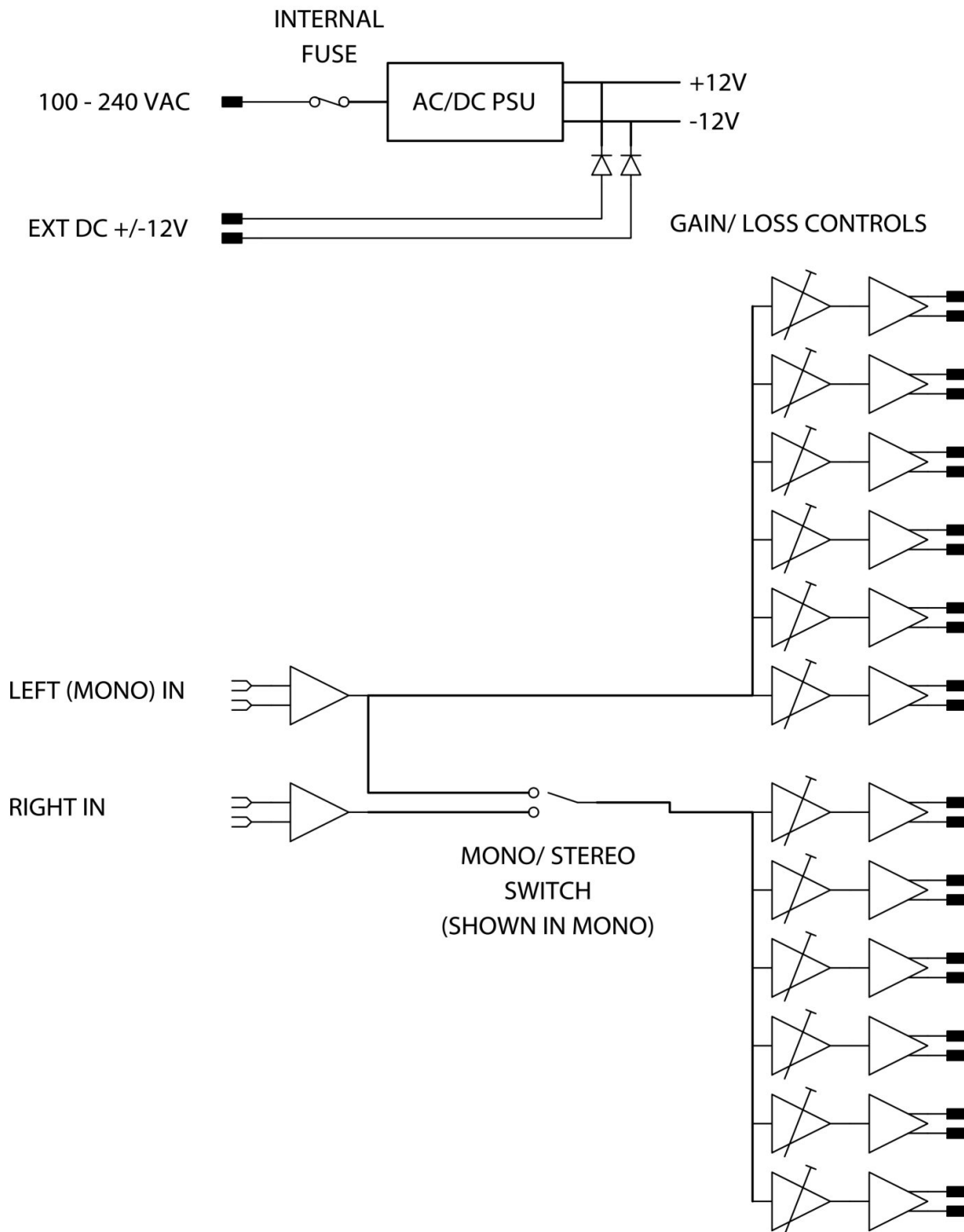
Maximum Resilience Broadcast Audio



Signature ADA 2:6G

6 Way Stereo Distribution Amplifier With Output Gain

AUDIO BLOCK DIAGRAM



Signature Series

Maximum Resilience Broadcast Audio



Signature Series Standard Features

STANDARD FEATURES

19" Rack Mount Ears



A Signature unit can rack mount in a 1U 19" rack, regardless of the size of the unit. Rack ears are included as standard with every unit.

Front Or Rear Mounting



A Signature unit can be rack mounted via the front panel or if it is more convenient, via the rear panel by simply swapping the rack ears over.

Side Wings For Flat Surface Fixing



A Signature unit has side wings with mounting holes at the top and bottom, allowing flush fixing from above **OR** underneath.

Neutral Colour Scheme To Compliment Equipment Areas



Rack Screws Included



Modern Design



Internal Switch Mode AC Power Supply



A Signature unit has an internal switch mode AC power supply, allowing worldwide power connections from 100-240v via an IEC socket.

12V DC Power Connection



All Signature units (except PS1) have a 4 pin XLR $\pm 12V$ DC socket for connection to the PS1 Power Station. This can act as the primary or backup power source.

Quick Find Manual



A Signature unit has a QR code attached. This can be scanned to simply and quickly locate the manual and technical information.

CONTACT

GlenSound
6 Brooks Place, Maidstone
Kent, UK, ME14 1HE
Tel: +44 (0)1622 753 662
Web: www.glenSound.co.uk
Email: sales@glenSound.co.uk

